

SMT CURRENT SENSE TRANSFORMERS

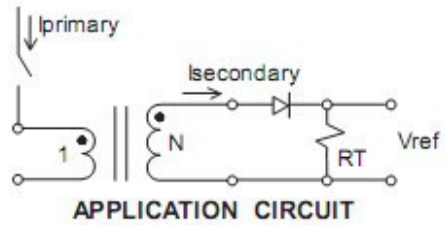
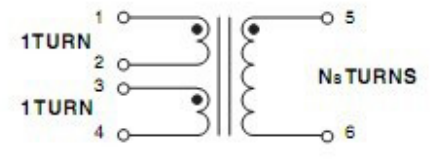
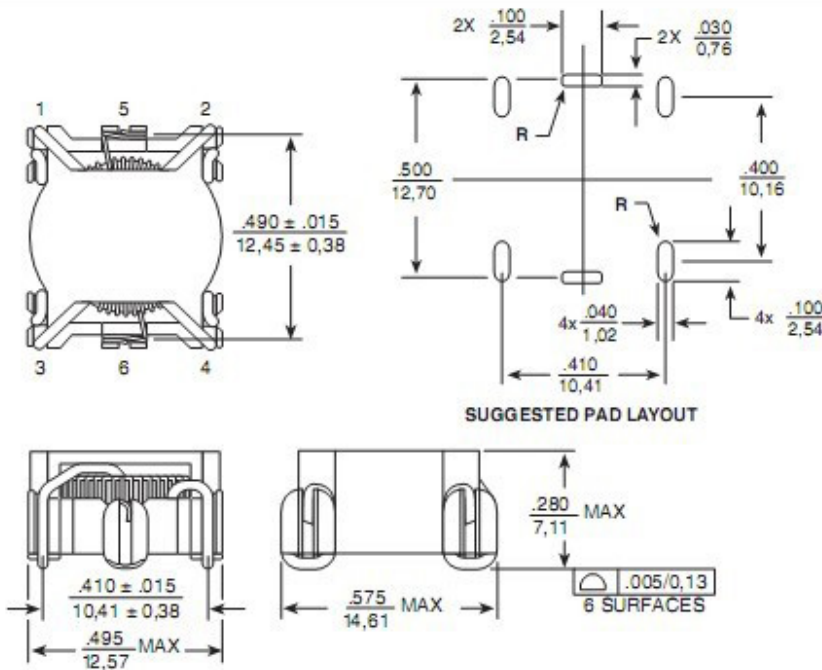
S-68XXXNL Series



- Height: 7.1mm Max
- Footprint: 14.6mm x 12.6mm Max
- Current Rating: up to 15A
- Frequency Range: 50kHz to 500kHz

Mechanical

Schematic



Dimensions: $\frac{\text{Inches}}{\text{mm}}$

Unless otherwise specified, all tolerances are $\pm \frac{.010}{0.25}$