

SMT COMMON MODE INDUCTORS

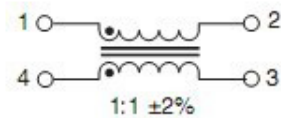
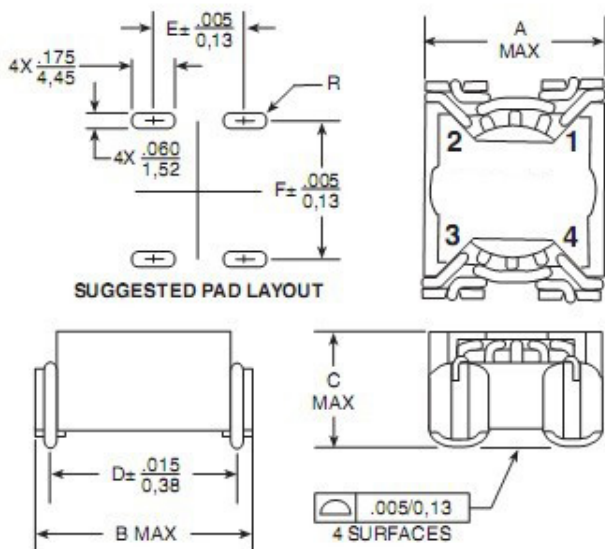
0.5A to 3.6A

- Pick and place compatible
- Rated voltage 250V_{AC}
- Low RFI toroid
- Tape & Reel packaging available

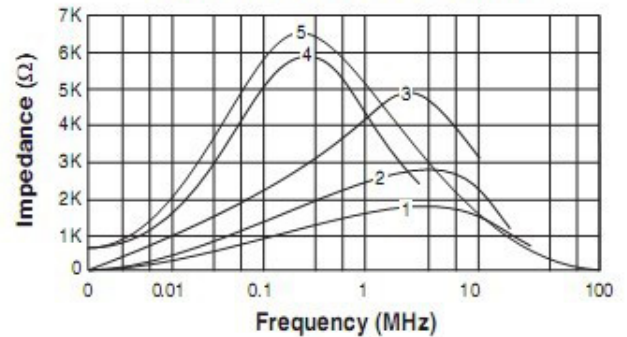


Mechanical

Schematic



Typical Impedance Curves



Size	A	B	C	D	E	F
SUN-37	.560/14,22	.645/16,38	.350/8,89	.520/13,21	.340/8,64	.530/13,46
SUN-50	.670/17,02	.770/19,56	.390/9,90	.650/16,51	.445/11,30	.660/16,76

Dimensions: $\frac{\text{Inches}}{\text{mm}}$

Unless otherwise specified, all tolerances are $\pm \frac{.010}{0,25}$